



BALLBEARING SLIDES



G*GRASS®

BALLBEARING SLIDE SYSTEM

Full extension slide.
Elegant, comfortable, and precision engineered.



Ball Bearing Drawer Slide

Full extension



- Frameless or Face Frame application
- For drawer lengths 250 mm (10") to 700 mm (28")
- 100 lbs. load rating
- Full Extension
- Front slotted hole for face frame mounting
- Continuous bearing ensure smooth running performance
- Manufactured from cold rolled steel
- Drawer member releases for easy installation
- Face Frame rear mounting bracket available
- Meets and exceeds ANSI/BHMA Grade 1 testing requirements

Ball bearing full extension slide, 100 lbs (45 kg)



Nominal length	Item No.	PU
250 (10")	30156-04	10
300 (12")	30113-04	10
350 (14")	30114-04	10
400 (16")	30115-04	10
450 (18")	30116-04	10
500 (20")	30117-04	10
550 (22")	30118-04	10
600 (24")	30119-04	10
650 (26")	30120-04	10
700 (28")	30121-04	10

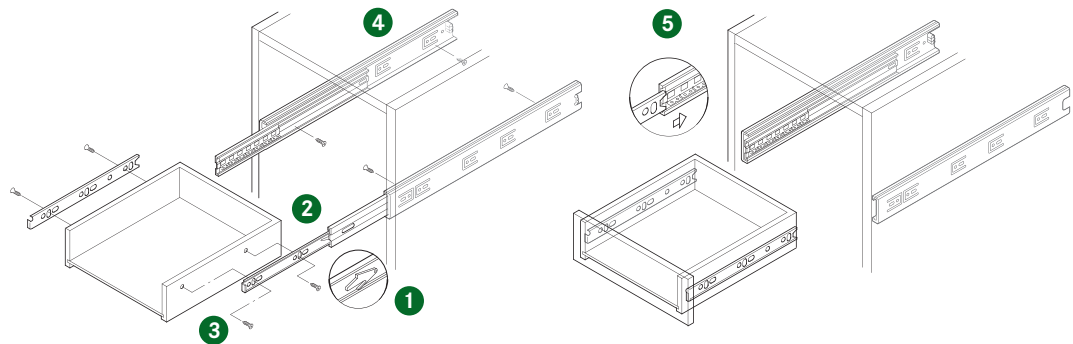
Rear mounting sockets, 100 lbs (45 kg)



Description	Item No.	PU
(Please order separately)		
Face frame rear socket	30102-15	300
1 each left and right socket		

Installation

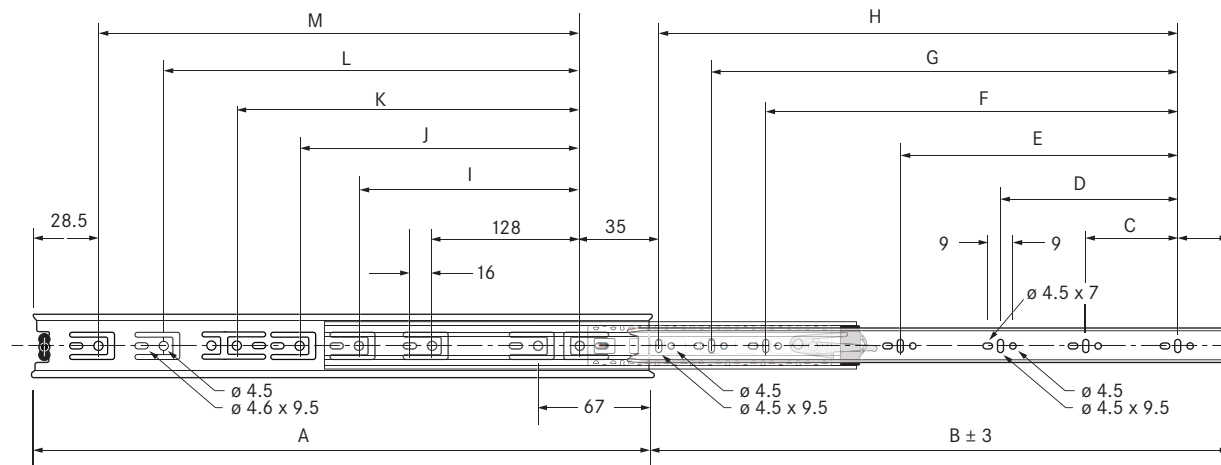
- 1 Dis-engage drawer members
- 2 Remove drawer members
- 3 Attach drawer members to drawer
- 4 Attach cabinet members
- 5 Insert drawer member into cabinet member



Attach with #6 x 5/8" FHP screws (not included)

PU = Packaging Unit

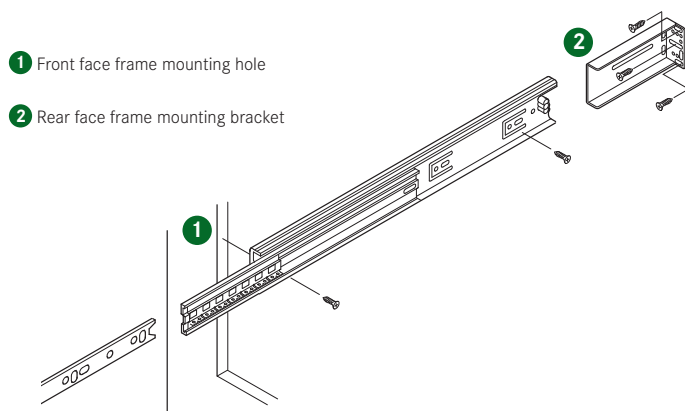
Drawer Measurements



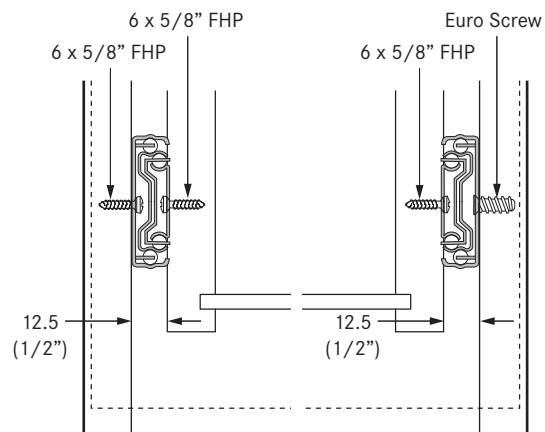
Slide Length A (mm)	Slide Travel B (mm)	C (mm)	D (mm)	E (mm)	F (mm)	G (mm)	H (mm)	I (mm)	J (mm)	K (mm)	L (mm)	M (mm)
250	250	-	-	-	-	-	192	-	-	-	-	-
300	300	-	-	-	-	-	242	224	-	-	-	-
350	350	128	-	-	-	-	292	224	-	-	-	-
400	400	128	-	-	-	-	342	224	320	-	-	-
450	450	128	320	-	-	-	392	224	352	-	-	-
500	500	128	192	352	-	-	442	224	416	-	-	-
550	550	128	224	416	-	-	492	224	352	448	-	-
600	600	128	224	416	-	-	542	224	352	448	-	-
650	650	128	224	416	544	-	592	224	352	544	-	-
700	700	128	224	288	448	544	642	224	352	-	544	608

Face frame mounting

Rear socket for 12"-21" slides*



Cabinet member boring specifications



Pre-drilling recommended $\varnothing 2.5$ mm (3/32"). All dimensions in millimeters.



Grass America Inc.
1202 Highway 66 South
Kernersville, NC 27284

Phone 1-800-334-3512
Fax 1-800-525-8406

Internet: www.grassusa.com
E-Mail: info@grassusa.com

www.grassusa.com

Grass Canada Inc.
10 Newgale Gate, Unit 7
Toronto, ON M1X 1C5

Phone 1-800-461-4975
Fax 1-416-335-5907

Internet: www.grasscanada.com
E-Mail: info@grasscanada.com